

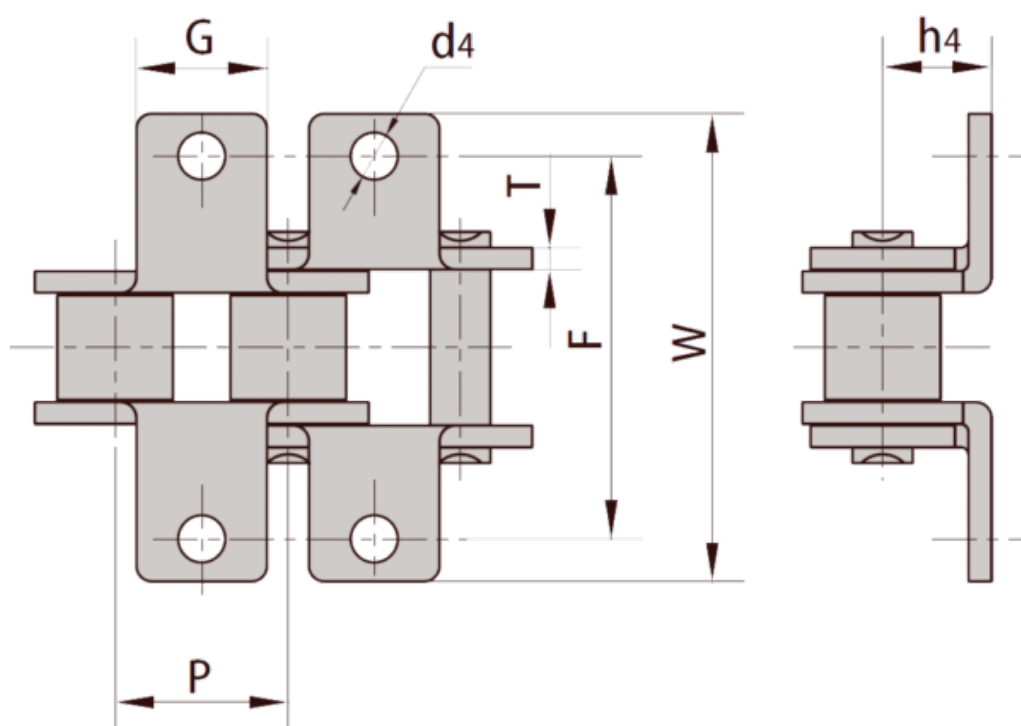
Article number: 6100110071012

Description: 12B1

K1 angled 2 sides, one hole attachment link, spring clip type

Measures

K1 X 2



$d4 = 6.4$

$F = 38.10$

$G = 16.0$

$h4 = 13.46$

$P = 19050$

$T = 1.85$

$W = 52.4$